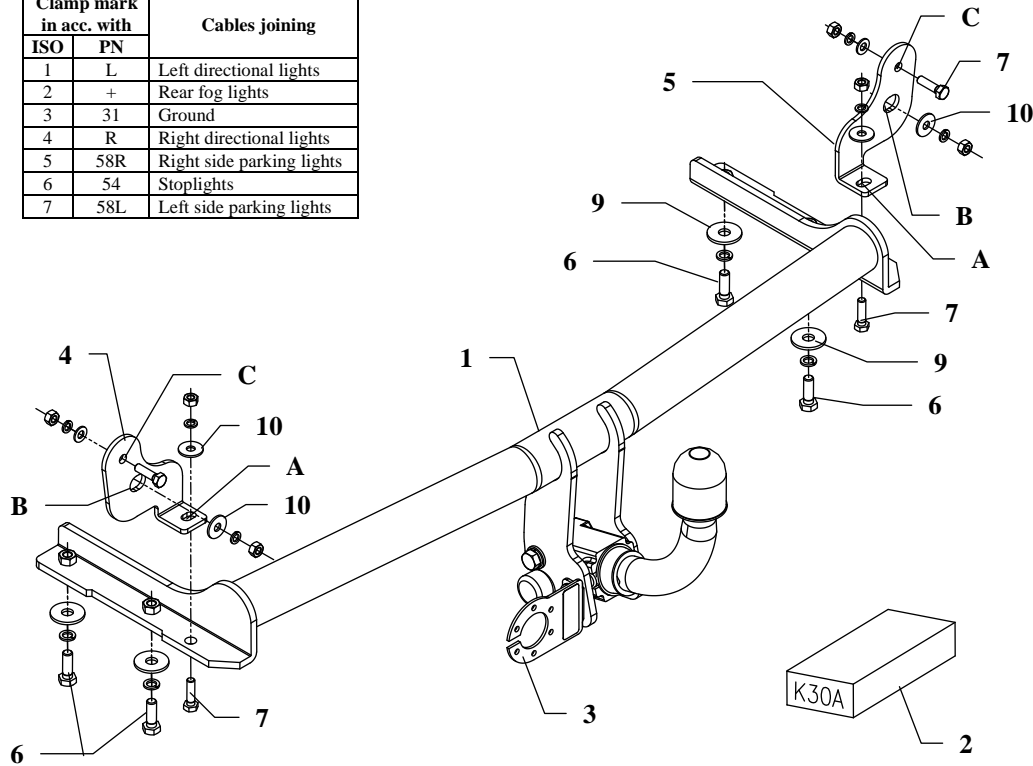


# FITTING INSTRUCTION

Clamp mark in acc. with		Cables joining
ISO	PN	
1	L	Left directional lights
2	+	Rear fog lights
3	31	Ground
4	R	Right directional lights
5	58R	Right side parking lights
6	54	Stoplights
7	58L	Left side parking lights



This towing hitch is designed to assembly in following car:  
**VOLKSWAGEN POLO, 3/5 doors, (6N2)**, produced since 10.1999 till 10.2001, catalogue number **K30A** and is prepared to tow trailers max total weight **1200 kg** and max vertical load **50 kg**.

### From manufacturer

Thank you for buying our product. Their reliability has been confirmed in many tests. Reliability of towing hitch depends also on correct assembly and right operation. For this reasons we kindly ask to read carefully this instruction and apply to hints.

*The towing hitch should be install in points described by a car producer.*

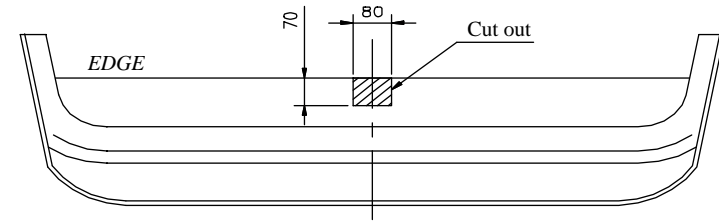


Fig. 2

### The instruction of the assembly

1. Disassemble the bumper and metal reinforcement (reinforcement will be not used any more).
2. In bottom part of the bumper cut out the hole as show in the fig. 2
3. From frame holes remove the stickers. Through this holes will be fix the towbar.
4. Put bar of the towbar (pos. 1) into the chassis member and fix with bolts M10x35mm (pos. 6), use big washers  $\varnothing 30 \times \varnothing 10.5 \times 2.5$ mm (pos. 9).
5. Put brackets (pos. 4 and 5) to the rear piece and fix it through holes pos. A to the bar of towbar using bolts M8x30mm (pos. 7), use big washers  $\varnothing 24 \times \varnothing 8.4 \times 2$ mm (pos. 10).
6. Through holes (pos. B) in brackets (pos. 4 and 5) fix nuts M8 with big washers  $\varnothing 24 \times \varnothing 8.4 \times 2$ mm. Take care at the torque moment - **10 Nm**.
7. Through holes (pos. C) in brackets (pos. 4 and 5) make holes with drill  $\varnothing 9$ mm, and next fix with bolts M8x30mm (pos. 7).
8. Fix body of the automat and place tow-ball according to supplied instruction. Note! Remember to place socket plate (pos. 3) as shown on the drawing 1.
9. Fix tight all bolts according to the torque shown in the table.
10. Connect the electric wires according to the instructions of the car. (Recommended to make at service station)
11. Complete paint layer damaged during installation.

Torque settings for nuts and bolts (8,8):

<b>M6</b> - 11 Nm	<b>M8</b> - 25 Nm	<b>M10</b> - 50 Nm
<b>M12</b> - 87 Nm	<b>M14</b> - 138 Nm	<b>M16</b> - 210 Nm

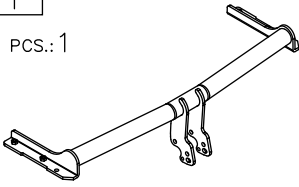


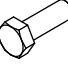

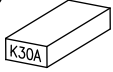


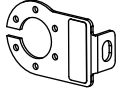




### NOTE

After installation of a towing hitch you should get adequate note in registration book (at authorised service station). The car should be equipped with:

- Indicators
- Tow mirrors

After 1000km of exploitation check all bolts and nuts. The ball of towing hitch must be always kept clear and conserve with a grease.

## Towing hitch accessories:

Pos. 1 Main bar PCS.: 1 	Pos. 5 Right plate PCS.: 1 	Pos. 10 Washer ø24xø8,4x2mm PCS.: 4 
	Pos. 6 Bolt 8.8 B M10x35mm PCS.: 4 	Pos. 11 Washer ø8,5mm PCS.: 2 
Pos. 2 Tow ball (mounting set) PCS.: 1 	Pos. 7 Bolt 8.8 B M8x30mm PCS.: 4 	Pos. 12 Spring washer ø10,2mm PCS.: 4 
Pos. 3 Socket plate PCS.: 1 	Pos. 8 Nut 8 B M8 PCS.: 6 	Pos. 13 Spring washer ø8,2mm PCS.: 6 
Pos. 4 Left plate PCS.: 1 	Pos. 9 Washer ø30xø10,5x2,5mm PCS.: 4 	



**PPUH AUTO-HAK Sp.J.**

Produkcja Zaczepów Kulowych  
Henryk i Zbigniew Nejman  
76-200 SŁUPSK ul. Słoneczna 16K  
tel/fax +48 (59) 8-414-414; 8-414-413  
E-mail: [office@autohak.com.pl](mailto:office@autohak.com.pl)  
[www.autohak.com.pl](http://www.autohak.com.pl)

## Towing hitch (without electrical set)

Class: **A50-X** Cat. no. **K30A**

Designed for:

Manufacturer: **VOLKSWAGEN**

Model: **POLO**

Type: **3/5 doors (6N2)**

produced since 10.1999 till 10.2001

Technical data:

**D-value: 6,48 kN**

maximum trailer weight: **1200 kg**

maximum vertical cup load: **50 kg**

**Approval number according to Directive 94/20/EC: e20\*94/20\*1161\*00**

## Foreword

This towing hitch is designed according to rules of safety traffic regulations. The towing hitch is a safety component and can be install only by qualified personnel. Any alteration or conversion of the towing hitch is prohibited and would lead to cancellation of design certification. Remove insulating compound and underseal from vehicle (if present) in the area of the matting surfaces of the towing hitch.

The vehicle manufacturer's specifications regarding trailer mass and max. vertical cup mass are decisive for driving whereat values for the towing hitch cannot be exceeded.

*D-value formula:*

$$\frac{\text{Max trailer weight [kg]} \times \text{Max vehicle weight [kg]}}{\text{Max trailer weight [kg]} + \text{Max vehicle weight [kg]}} \times \frac{9,81}{1000} = D \text{ [kN]}$$