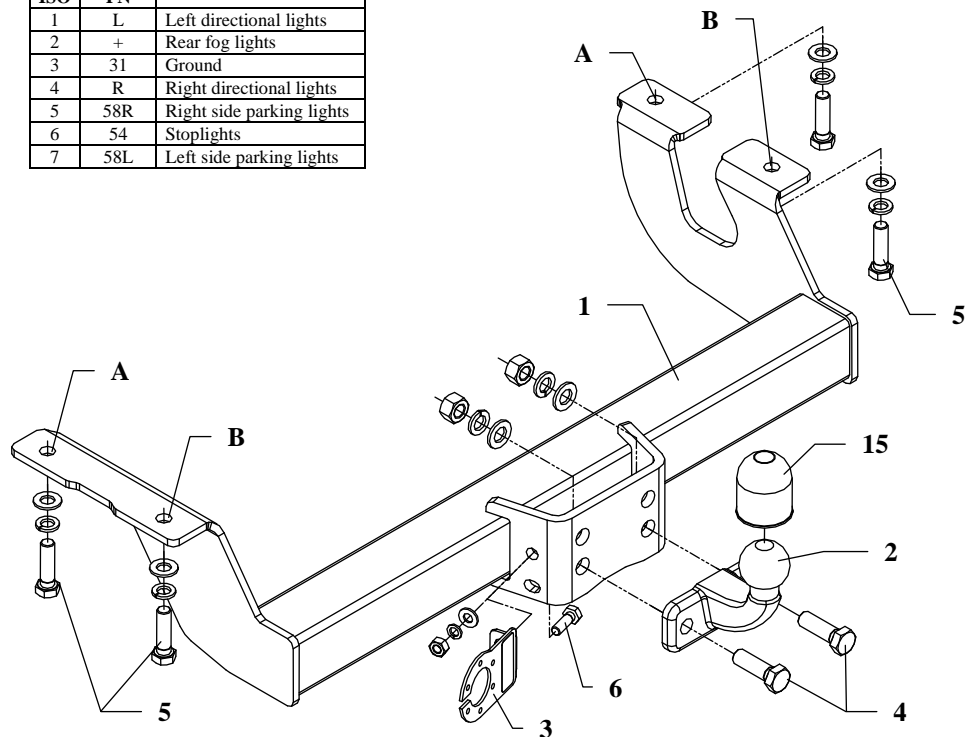


FITTING INSTRUCTION

Clamp mark in acc. with		Cables joining
ISO	PN	
1	L	Left directional lights
2	+	Rear fog lights
3	31	Ground
4	R	Right directional lights
5	58R	Right side parking lights
6	54	Stoplights
7	58L	Left side parking lights



This towing hitch is designed to assembly in following cars:
VOLKSWAGEN LT 28, metal built-up, produced since 01.1982 till 12.1995, catalogue no. **K14** and is prepared to tow trailers max total weight **2500 kg** and max vertical mass **75 kg**.

From manufacturer

Thank you for buying our product. Their reliability has been confirmed in many tests. Reliability of towing hitch depends also on correct assembly and right operation. For this reasons we kindly ask to read carefully this instruction and apply to hints.

The towing hitch should be install in points described by a car producer.

The instruction of the assembly

1. For the purpose of the installing of the towing hitch one ought to unscrew the bumper from the left and the right side of the car.
2. Apply the main bar of the towing hitch (pos. 1) to the car frame and fix through holes A of the towing hitch and existing holes in the frame using bolts M14x1.5x50mm (pos. 5) from the towing hitch accessories.
3. Fix the bumper on the left and right side of the car through holes B of the towing hitch.
4. Fix tow-ball (pos. 2) using bolts M16x50mm (pos. 4) from accessories.
5. Fix the socket plate (pos. 3) using bolt M10x30mm (pos. 9) as shown on the drawing.
6. Tighten all bolts according to the torque shown in the table.
7. Connect electric wires of 7-poles socket according to the instruction of the car. (Recommended to make at authorized service station).
8. Complete paint layer damaged during installation.

Torque settings for nuts and bolts (8,8):

M6 - 11 Nm	M8 - 25 Nm	M10 - 50 Nm
M12 - 87 Nm	M14 - 138 Nm	M16 - 210 Nm

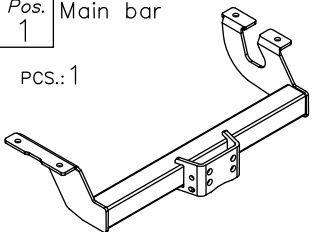
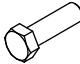

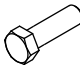

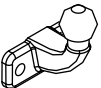


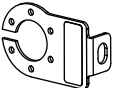


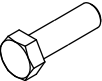



NOTE

After install the towing hitch you should get adequate note in registration book (at authorised service station). The car should be equipped with:

- Indicators
- Tow mirrors

Check all bolts and nuts after 1000km of use. The ball of towing hitch must be always kept clear and conserve with a grease.

Towing hitch accessories:

Pos. 1 Main bar PCS.: 1		Pos. 5 Bolt 8,8 B M14x1.5x50mm PCS.: 4		Pos. 10 Plain washer ø14mm PCS.: 4	
		Pos. 6 Bolt 8,8 B M10x30mm PCS.: 1		Pos. 11 Plain washer ø10,5mm PCS.: 1	
Pos. 2 Tow ball PCS.: 1		Pos. 7 Nut 8 B M16 PCS.: 2		Pos. 12 Spring washer ø16mm PCS.: 2	
Pos. 3 Socket plate PCS.: 1		Pos. 8 Nut 8 B M10 PCS.: 1		Pos. 13 Spring washer ø14mm PCS.: 4	
Pos. 4 Bolt 8,8 B M16x50mm PCS.: 2		Pos. 9 Plain washer ø16mm PCS.: 2		Pos. 14 Spring washer ø10,2mm PCS.: 1	
		Pos. 15 Ball cover PCS.: 1			



PPUH AUTO-HAK Sp.J.

Produkcja Zaczepów Kulowych
Henryk i Zbigniew Nejman
76-200 SŁUPSK ul. Słoneczna 16K
tel/fax +48 (59) 8-414-414; 8-414-413
E-mail: office@autohak.com.pl
www.autohak.com.pl

Towing hitch (without electrical set)

Class: **A50-X** Cat. no. **K14**

Designed for:

Manufacturer: **VOLKSWAGEN**

Model: **LT 28**

Type: **metal built-up**

produced since 01.1982 till 12.1995

Technical data:

D-value: 12,9 kN

maximum trailer weight: **2500 kg**

maximum vertical cup mass: **75 kg**

Approval number according to Directive 94/20/EC: e20*94/20*0350*00

Foreword

This towing hitch is designed according to rules of safety traffic regulations. The towing hitch is a safety component and can be install only by qualified personnel. Any alteration or conversion of the towing hitch is prohibited and would lead to cancellation of design certification. Remove insulating compound and underseal from vehicle (if present) in the area of the matting surfaces of the towing hitch. The vehicle manufacturer's specifications regarding trailer mass and max. vertical cup mass are decisive for driving whereat values for the towing hitch cannot be exceeded.

D-value formula:

$$\frac{\text{Max trailer weight [kg]} \times \text{Max vehicle weight [kg]}}{\text{Max trailer weight [kg]} + \text{Max vehicle weight [kg]}} \times \frac{9,81}{1000} = D \text{ [kN]}$$