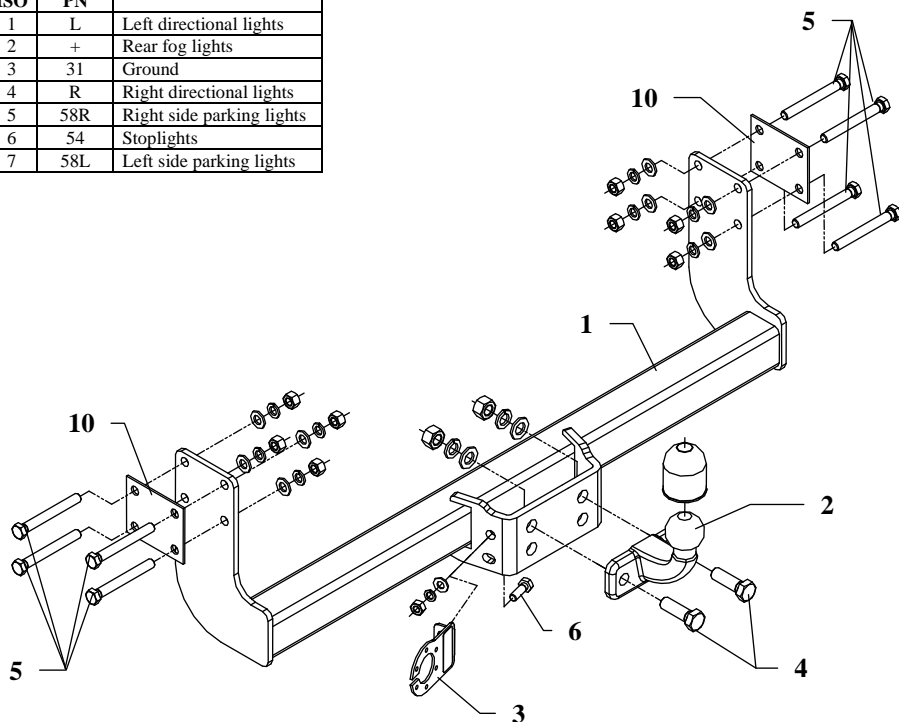


FITTING INSTRUCTION

Clamp mark in acc. with		Cables joining
ISO	PN	
1	L	Left directional lights
2	+	Rear fog lights
3	31	Ground
4	R	Right directional lights
5	58R	Right side parking lights
6	54	Stoplights
7	58L	Left side parking lights



This towing hitch is designed to assembly in following cars:
MERCEDES SPRINTER 3,55/4,025m, loading platform, single wheels,
 produced since 02.1995 till 05.2006, and **VOLKSWAGEN LT 28/46,**
3,55/4,025m, loading platform, single wheels, produced since 01.1996 till
 03.2006, catalogue no. **D17** and is prepared to tow trailers max total weight
2800 kg and max vertical load **100 kg**.

From manufacturer

Thank you for buying our product. Their reliability has been confirmed in many tests. Reliability of towing hitch depends also on correct assembly and right operation. For this reasons we kindly ask to read carefully this instruction and apply to hints.

The towing hitch should be installing in points described by a car producer.

The instruction of the assembly

1. Apply the main bar of the towing hitch (pos. 1) from the bottom of the car and through fish-plates (pos. 10) fix using bolts M12x100mm (pos. 5) from the towing hitch accessories.
2. Fix tow-ball (pos. 2) using bolts M16x50mm (pos. 4) from accessories.
3. Fix the socket plate (pos. 3) using bolt M10x30mm (pos. 6) as shown on the drawing.
4. Tighten all bolts according to the torque shown in the table.
5. Connect electric wires of 7-poles socket according to the instruction of the car. (Recommend to make at authorized service station).
6. Complete paint layer damaged during installation.

Torque settings for nuts and bolts (8,8):

M6 - 11 Nm	M8 - 25 Nm	M10 - 50 Nm
M12 - 87 Nm	M14 - 138 Nm	M16 - 210 Nm

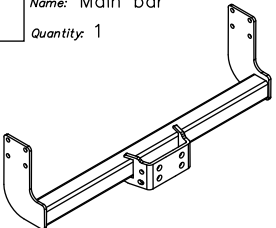




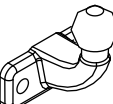


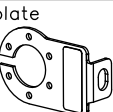


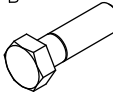
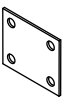

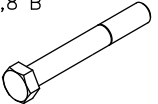


NOTE

After install the towing hitch you should get adequate note in registration book (at authorised service station). The car should be equipped with:

- Indicators
- Tow mirrors

After 1000km of exploitation check all bolts and nuts. The ball of towing hitch must be always kept clear and conserve with a grease.

Towing hitch accessories:

Pos. 1 Name: Main bar Quantity: 1 	Pos. 6 Name: Bolt 8,8 B Quantity: 1 Dim.: M10x30mm 	Pos. 12 Name: Plain washer Quantity: 8 Dim.: Ø 13 mm 
	Pos. 7 Name: Nut 8 B Quantity: 2 Dim.: M16 	Pos. 13 Name: Plain washer Quantity: 1 Dim.: Ø 10,5 mm 
Pos. 2 Name: Tow ball Quantity: 1 	Pos. 8 Name: Nut 8 B Quantity: 8 Dim.: M12 	Pos. 14 Name: Spring washer Quantity: 2 Dim.: Ø 16,3 mm 
Pos. 3 Name: Socket plate Quantity: 1 	Pos. 9 Name: Nut 8 B Quantity: 1 Dim.: M10 	Pos. 15 Name: Spring washer Quantity: 8 Dim.: Ø 12,2 mm 
Pos. 4 Name: Bolt 8,8 B Quantity: 2 Dim.: M16x50mm 	Pos. 10 Name: Fish-plate Quantity: 2 	Pos. 16 Name: Spring washer Quantity: 1 Dim.: Ø 10,2 mm 
Pos. 5 Name: Bolt 8,8 B Quantity: 8 Dim.: M12x100mm 	Pos. 11 Name: Plain washer Quantity: 2 Dim.: Ø 17 mm 	Pos. 17 Name: Ball cover Quantity: 1 



PPUH AUTO-HAK S.J.

Produkcja Zaczepów Kulowych
Henryk i Zbigniew Nejman
76-200 SŁUPSK ul. Słoneczna 16K
tel/fax (059) 8-414-414; 8-414-413
E-mail: office@autohak.com.pl
www.autohak.com.pl

Towing hitch (without electrical set)

Class: **A50-X** Cat. no. **D17**

Designed for:

MERCEDES SPRINTER

Type: **3,55/4,025m, loading platform,
single wheels**

produced since 02.1995 till 05.2006

VOLKSWAGEN LT 28/46

Type: **3,55/4,025m, loading platform, single wheels**

produced since 01.1996 till 03.2006

Technical data:

D-value: 15,3 kN

maximum trailer weight: **2800 kg**

maximum vertical cup load: **100 kg**

Approval number according to Directive 94/20/EC: **e20*94/20*0496*00**

Foreword

This towing hitch is designed according to rules of safety traffic regulations. The towing hitch is a safety component and can be install only by qualified personnel. Any alteration or conversion of the towing hitch is prohibited and would lead to cancellation of design certification. Remove insulating compound and underseal from vehicle (if present) in the area of the matting surfaces of the towing hitch. The vehicle manufacturer's specifications regarding trailer load and max. vertical cup load are decisive for driving whereat values for the towing hitch cannot be exceeded.

D-value formula:

$$\frac{\text{Max trailer weight [kg]} \times \text{Max vehicle weight [kg]}}{\text{Max trailer weight [kg]} + \text{Max vehicle weight [kg]}} \times \frac{9,81}{1000} = D \text{ [kN]}$$