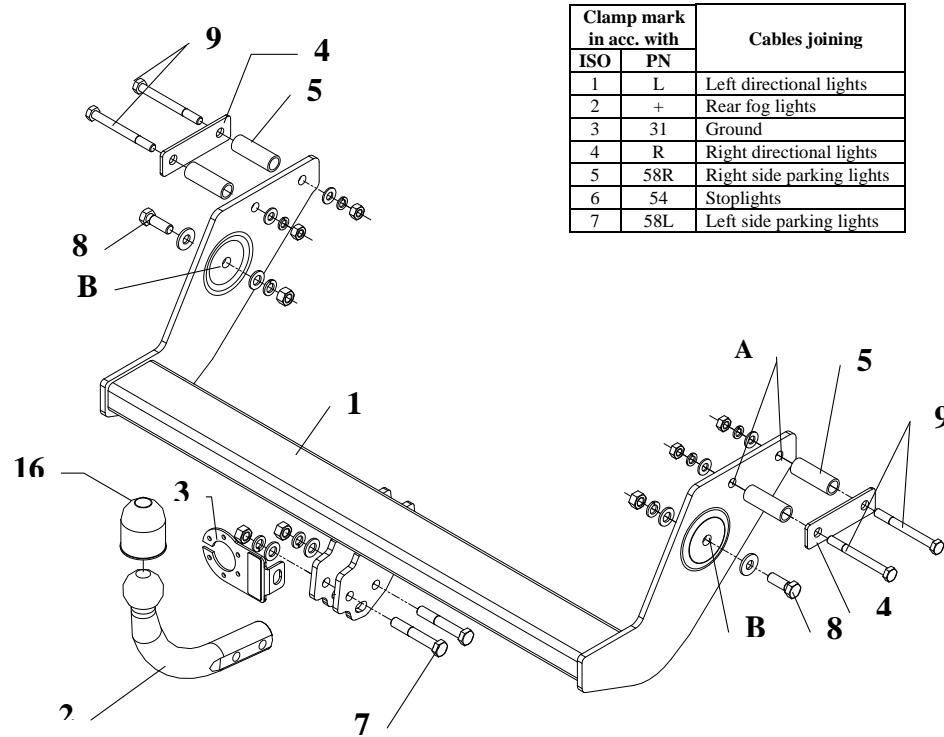


FITTING INSTRUCTION

Fitting instructions



Clamp mark in acc. with		Cables joining
ISO	PN	
1	L	Left directional lights
2	+	Rear fog lights
3	31	Ground
4	R	Right directional lights
5	58R	Right side parking lights
6	54	Stoptlights
7	58L	Left side parking lights

1. Take the spare wheel out the bumper
2. Unscrew the plastic covers at the bottom of the car
3. Slide the distance sleeves L=62mm (pos. 5) to the original holes, then position the bar of towing hitch (pos. 1) (do it in such a way that holes pos. A cover holes of the distance sleeves) and fix it using M10x100mm (pos. 9).
4. Put the bolts M12x35mm (pos. 8) through the holes (pos. B) and fix it with the chassis member
5. Position the ball of towing hitch (pos. 2) with socket plate (pos. 3) and fix with M12x75mm (pos. 7) bolts from the towing hitch accessories.
6. Tighten all nuts and bolts according to the torque shown in the table
7. Connect the electric wires according to the instructions of the car
8. Complete the paint cover of towing hitch (during the mounting paint cover could be destroyed)

This towing hitch is designed to assembly in following car:
MERCEDES Vaneo, 5 doors VAN (W414) produced since 02.2002, catalogue no. **D27** and is prepared to tow trailers max total weight **1200 kg** and max vertical load **50 kg**.

From manufacturer

Thank you for buying our product. Their reliability has been confirmed in many tests. Reliability of towing hitch depends also on correct assembly and right operation. For this reasons we kindly ask to read carefully this instruction and apply to hints.

The towing hitch should be install in points described by a car producer.

Torque settings for nuts and bolts (8,8):

M 8	25 Nm	M 10	55 Nm
M 12	85 Nm	M 14	135 Nm

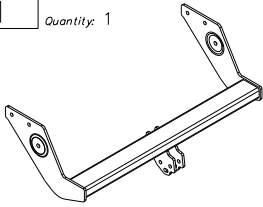
NOTE

After install the towing hitch you should get adequate note in registration book (at authorised service station).The car should be equipped with:

- Indicators
- Tow mirrors

After 1000km check all bolts and nuts. The ball of towing hitch must be always kept clear and conserve with a grease.

Towing hitch accessories:

Pos. 1	Name: Main bar Quantity: 1	Pos. 5	Name: Distance sleeve Quantity: 4 Dim.: $\varnothing 21 \times 2,35$, L=62	Pos. 11	Name: Nut 8 B Quantity: 4 Dim.: M10
		Pos. 6	Name: Washer Quantity: 2 Dim.: $\varnothing 28 \times \varnothing 12 \times 3$ mm	Pos. 12	Name: Plain washer Quantity: 4 Dim.: $\varnothing 13$ mm
Pos. 2	Name: Tow ball Quantity: 1	Pos. 7	Name: Bolt 8,8 B Quantity: 2 Dim.: M12x75mm	Pos. 13	Name: Plain washer Quantity: 4 Dim.: $\varnothing 10,5$ mm
Pos. 3	Name: Socket plate Quantity: 1	Pos. 8	Name: Bolt 8,8 B Quantity: 2 Dim.: M12x35mm	Pos. 14	Name: Spring washer Quantity: 4 Dim.: $\varnothing 12,2$ mm
Pos. 4	Name: Flat washer Quantity: 2 Dim.: 116x35x4mm	Pos. 9	Name: Bolt 8,8 B Quantity: 4 Dim.: M10x100mm	Pos. 15	Name: Spring washer Quantity: 4 Dim.: $\varnothing 10,2$ mm
		Pos. 10	Name: Nut 8 B Quantity: 4 Dim.: M12	Pos. 16	Name: Ball cover Quantity: 1



PPUH AUTO-HAK S.J.

Produkcja Haków Holowniczych
Henryk i Zbigniew Nejman
76-200 SŁUPSK ul. Słoneczna 16K
tel/fax (059) 8-414-414; 8-414-413
E-mail: office@autohak.com.pl
www.autohak.com.pl

Towing hitch (without electrical set)

Class: **A50-X** Cat. no. **D27**

Designed for:

Manufacturer: **MERCEDES**

Model: **VANEO**

Type: **5 doors VAN (W414)**

produced since 02.2002

Technical data:

D-value: 7,4 kN

maximum trailer weight: **1200 kg**

maximum vertical cup load: **50 kg**

Approval number according to Directive 94/20/EC: e20*94/20*0317*00

Foreword

This towing hitch is designed according to rules of safety traffic regulations. The towing hitch is a safety component and must be installed only by qualified personnel. Any alteration or conversion to the towinh hitch is prohibited and would lead to cancellation of design certification. Remove insulating compound and underseal from vehicle (if present) in the area of the matting surfaces of the towing hitch.

The vehicle manufacturer's specifications regarding trailer load and max. vertical cup load are decisive for driving, and values for the towing hitch cannot be exceeded.

D-value formula:

$$\frac{\text{Max trailer weight [kg]} \times \text{Max vehicle weight [kg]}}{\text{Max trailer weight [kg]} + \text{Max vehicle weight [kg]}} \times \frac{9,81}{1000} = D \text{ [kN]}$$