

Towing hitch accessories:

Pos. 1 Name: Main bar Quantity: 1	Pos. 6 Name: Fish-plate I Quantity: 2	Pos. 12 Name: Bolt 8,8 B Quantity: 4 Dim.: M10x100mm	Pos. 18 Name: Spring washer Quantity: 6 Dim.: Ø 12,2 mm
Pos. 2 Name: Tow ball Quantity: 1	Pos. 7 Name: Fish-plate I II Quantity: 2	Pos. 13 Name: Bolt 8,8 B Quantity: 1 Dim.: M10x75mm	Pos. 19 Name: Spring washer Quantity: 5 Dim.: Ø 10,2 mm
Pos. 3 Name: Socket plate Quantity: 1	Pos. 8 Name: Cut washer Quantity: 2	Pos. 14 Name: Nut 8 B Quantity: 4 Dim.: M12	Pos. 20 Name: Ball cover Quantity: 1
Pos. 4 Name: Right bracket Quantity: 1	Pos. 9 Name: Distance sleeve Quantity: 4 Dim.: Ø17,2x2,35mm L=70mm	Pos. 15 Name: Nut 8 B Quantity: 5 Dim.: M10	
Pos. 5 Name: Left bracket Quantity: 1	Pos. 10 Name: Bolt 8,8 B Quantity: 2 Dim.: M12x75mm	Pos. 16 Name: Plain washer Quantity: 6 Dim.: Ø 13 mm	
	Pos. 11 Name: Bolt 8,8 B Quantity: 4 Dim.: M12x35mm	Pos. 17 Name: Plain washer Quantity: 5 Dim.: Ø 10,5 mm	



PPUH AUTO-HAK Sp.J.

Produkcja Zaczepów Kulowych
Henryk & Zbigniew Nejman
76-200 SŁUPSK ul. Słoneczna 16K
tel/fax (059) 8-414-414; 8-414-413
E-mail: office@autohak.com.pl
www.autohak.com.pl

Towing hitch (without electrical set)

Class: **A50-X** Cat. no. **W01**

Designed for:

Manufacturer: **SUZUKI**

Model: **SWIFT**

Type: **4 doors, except 4WD**

produced since 12.1991 till 09.1996

Technical data:

D-value: 5,45 kN

maximum trailer weight: **1000 kg**

maximum vertical cup load: **50 kg**

Approval number according to Directive 94/20/EC: e20*94/20*0058*00

Foreword

This towing hitch is designed according to rules of safety traffic regulations. The towing hitch is a safety component and can be install only by qualified personnel. Any alteration or conversion of the towing hitch is prohibited and would lead to cancellation of design certification. Remove insulating compound and underseal from vehicle (if present) in the area of the matting surfaces of the towing hitch. The vehicle manufacturer's specifications regarding trailer mass and max. vertical cup mass are decisive for driving whereat values for the towing hitch cannot be exceeded.

D-value formula:

$$\frac{\text{Max trailer weight [kg]} \times \text{Max vehicle weight [kg]}}{\text{Max trailer weight [kg]} + \text{Max vehicle weight [kg]}} \times \frac{9,81}{1000} = D \text{ [kN]}$$

FITTING INSTRUCTION

Clamp mark in acc. with		Cables joining
ISO	PN	
1	L	Left directional lights
2	+	Rear fog lights
3	31	Ground
4	R	Right directional lights
5	58R	Right side parking lights
6	54	Stoplights
7	58L	Left side parking lights

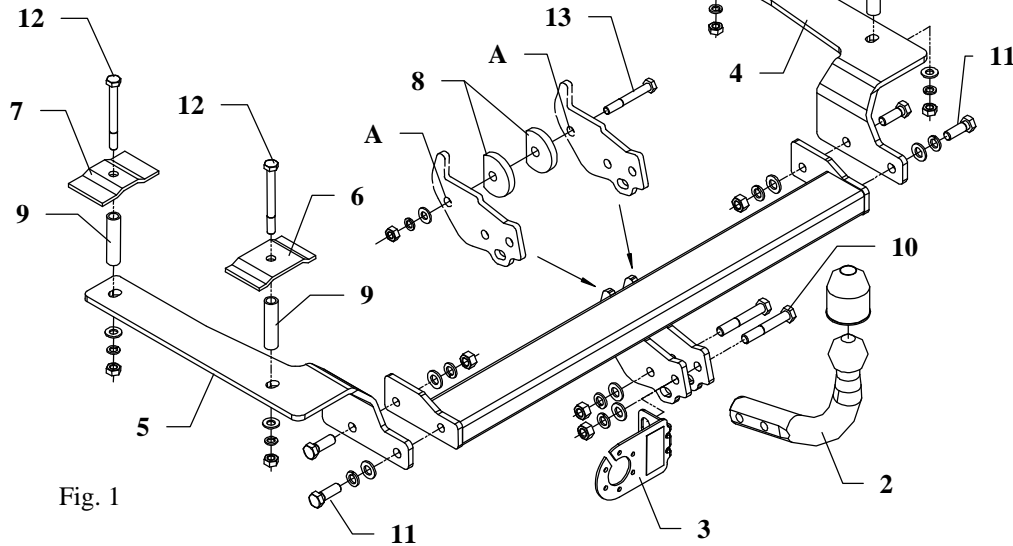


Fig. 1

This towing hitch is designed to assembly in following car: **SUZUKI SWIFT, 4 doors, except 4WD**, produced since 12.1991 till 09.1996, catalogue number **W01** and is prepared to tow trailers max total weight **1000 kg** and max vertical load **50 kg**.

The instruction of the assembly

1. Disassemble the muffler.
2. Take out the fitted carpet from the trunk.
3. Find plastic protruding plugs (pins) on the left and right side in the trunk. Take them out. Raised holes are base holes. Mark second holes as shown on the figure 2. Next drill marked holes straight through using bit $\phi 11$ mm, then enlarge it only from luggage part by bit $\phi 17$ mm.

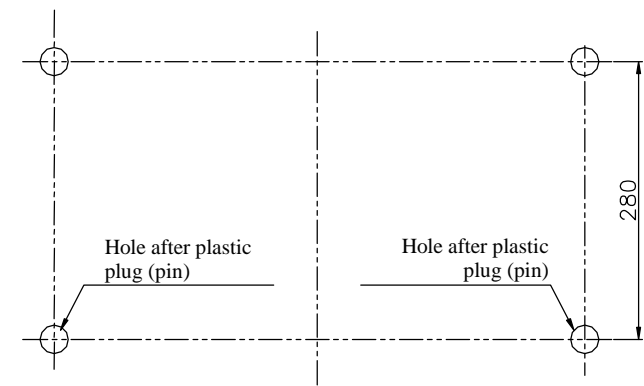


Fig. 2

4. To prepared holes put distance sleeves $\phi 17$ mm, L=70mm (pos. 9).
5. On holes put fish-plates (pos. 6 and 7) as shown on figure 1, next put bolts M10x100mm (pos. 12).
6. Underneath the car, to the chassis frame put side brackets (pos. 4 and 5) and fix it loosely.
7. Between installed brackets put main bar of the towbar (pos. 1) and fix it loosely using bolts M12x35mm (pos. 11).
8. Through holes pos. A fix with original towing eye using cut washers $\phi 58 \times \phi 12 \times 10$ mm (pos. 8) and bolt M10x75mm (pos. 13).
9. Fix tight all bolts according to the torque shown in the table.
10. Reassemble the muffler.
11. Fix tow-ball (pos. 2) and socket plate (pos. 3) by bolts M12x75mm (pos. 10) from accessories.
12. Connect electric wires of 7-poles socket according to the instruction of the car. (Recommend to make at authorized service station)
13. Complete paint layer damaged during installation.

Torque settings for nuts and bolts (8,8):	
M 8 - 25 Nm	M 10 - 55 Nm
M 12 - 85 Nm	M 14 - 135 Nm

NOTE

After install the towbar you should get adequate note in registration book (at authorised service station).The car should be equipped with:

- Indicators
- Tow mirrors

After 1000km check all bolts and nuts. The ball of towbar must be always kept clear and conserve with a grease.