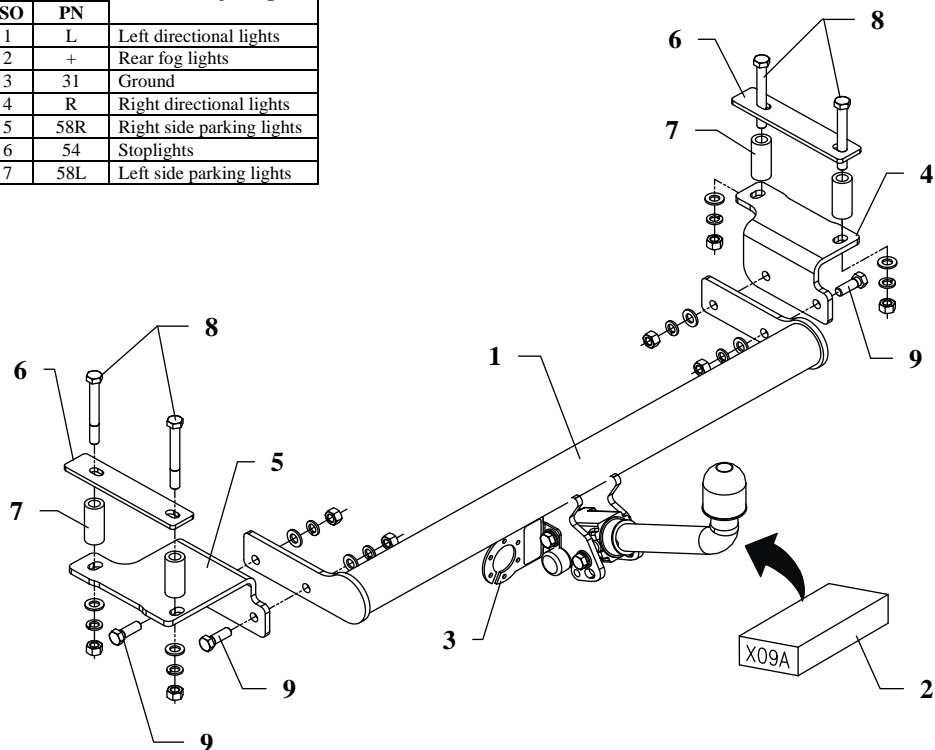


FITTING INSTRUCTION

| Clamp mark in acc. with | | Cables joining |
|-------------------------|-----|---------------------------|
| ISO | PN | |
| 1 | L | Left directional lights |
| 2 | + | Rear fog lights |
| 3 | 31 | Ground |
| 4 | R | Right directional lights |
| 5 | 58R | Right side parking lights |
| 6 | 54 | Stoptlights |
| 7 | 58L | Left side parking lights |



This towbar is designed to assembly in following cars:
DAEWOO LANOS, 4 doors, produced since 06.1997 till 01.2004,
 catalogue number **X09A** and is prepared to tow trailers max total weight
1100 kg and max vertical load **50 kg**.

From manufacturer

Thank you for buying our product. Their reliability has been confirmed in many tests. Reliability of towbar depends also on correct assembly and right operation. For this reasons we kindly ask to read carefully this instruction and apply to hints.

The towbar should be install in points described by a car producer.

The instruction of the assembly

1. Disassemble the rear plastic panel's cover in the boot.
2. Put the template "A" on supports of the boot (left and right side), then sign huge hole according to this template and drill it.
3. Underneath the car drill 12 mm through original holes (apparently 20 mm) of chassis members to the inside part of the boot (two holes per each side, do it very careful)
4. Enlarge this holes $\varnothing 25$ mm (do it inside of the boot) and next slip to this holes distance sleeves, see fig. 2
5. Put fish-plates pos. 6 in that way so holes in fish-plates 6 agree to early made holes.
6. Put side brackets (pos. 4 and 5) at the bottom of car and fix it through distance sleeves (pos. 7) and fish-plates pos. 6 using bolts M12x100mm (pos. 8), see fig. 2.
7. Between installed side brackets (pos. 4 and 5) put main bar of the towbar (pos. 1) and fix it using bolts M12x35mm (pos. 9).
8. Install bumper (before installation cut out his fragment 20x80mm - in lower part), see sheet with template.
9. Reassemble rear plastic panel cover.
10. Fix body of the automat and place tow-ball according to supplied instruction. Note! Remember to place socket plate (pos. 3) as shown on the drawing.
11. Tighten all bolts according to the torque shown in the table.
12. Connect electric wires of 7-poles socket according to the instruction of the car. (Recommend to make at authorized service station).
13. Complete paint layer damaged during installation.

| | |
|---|----------------------|
| Torque settings for nuts and bolts (8,8): | |
| M 8 - 25 Nm | M 10 - 55 Nm |
| M 12 - 85 Nm | M 14 - 135 Nm |

NOTE

After install the towbar you should get adequate note in registration book (at authorised service station).The car should be equipped with:

- Indicators
- Tow mirrors

After 1000km of exploitation check all bolts and nuts. The ball of towbar must be always kept clear and conserve with a grease.

Towbar accessories:

| | | | | | |
|-----------|-----------------------------------|-----------|--|------------|---|
| Pos. 1 | Name: Main bar Quantity: 1 | Pos. 4 | Name: Right bracket Quantity: 1 | Pos. 8 | Name: Bolt 8,8 B Quantity: 4 Dim.: M12x100mm |
| Pos. 2 | Name: Tow ball Quantity: 1 | Pos. 6 | Name: Fish-plate Quantity: 2 | Pos. 5 | Name: Left bracket Quantity: 1 |
| | | | | Pos. 10 | Name: Bolt 8,8 B Quantity: 4 Dim.: M12x35mm |
| Pos. 3 | Name: Socket plate Quantity: 1 | Pos. 7 | Name: Distance sleeve Quantity: 4 Dim.: $\varnothing 25 \times \varnothing 15 \text{mm}$ L=57mm | Pos. 11 | Name: Nut 8 B Quantity: 8 Dim.: M12 |
| | | | | Pos. 12 | Name: Plain washer Quantity: 8 Dim.: $\varnothing 13 \text{ mm}$ |
| | | | | Pos. 13 | Name: Spring washer Quantity: 8 Dim.: $\varnothing 12,2 \text{ mm}$ |



PPUH AUTO-HAK S.J.

Produkcja Zaczepów Kulowych
Henryk i Zbigniew Nejman
76-200 SŁUPSK ul. Słoneczna 16K
tel/fax (059) 8-414-414; 8-414-413
E-mail: office@autohak.com.pl
www.autohak.com.pl

Towing hitch (without electrical set)

Class: **A50-X** Cat. no. **X09A**

Designed for:

Manufacturer: **DAEWOO**

Model: **LANOS**

Type: **4 doors**

produced since 06.1997 till 01.2004

Technical data:

D-value: 6,4 kN

maximum trailer weight: **1100 kg**

maximum vertical cup load: **50 kg**

Approval number according to Directive 94/20/EC: e20*94/20*0811*00

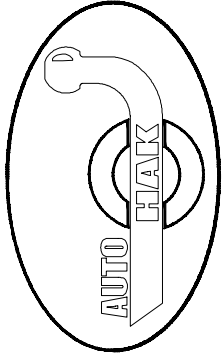
Foreword

This towbar is designed according to rules of safety traffic regulations. The towing hitch is a safety component and can be install only by qualified personnel. Any alteration or conversion of the towing hitch is prohibited and would lead to cancellation of design certification. Remove insulating compound and underseal from vehicle (if present) in the area of the matting surfaces of the towing hitch.

The vehicle manufacturer's specifications regarding trailer load and max. vertical cup load are decisive for driving whereat values for the towing hitch cannot be exceeded.

D-value formula:

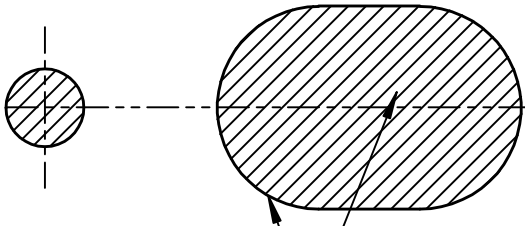
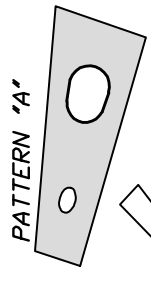
$$\frac{\text{Max trailer weight [kg]} \times \text{Max vehicle weight [kg]}}{\text{Max trailer weight [kg]} + \text{Max vehicle weight [kg]}} \times \frac{9,81}{1000} = D \text{ [kN]}$$



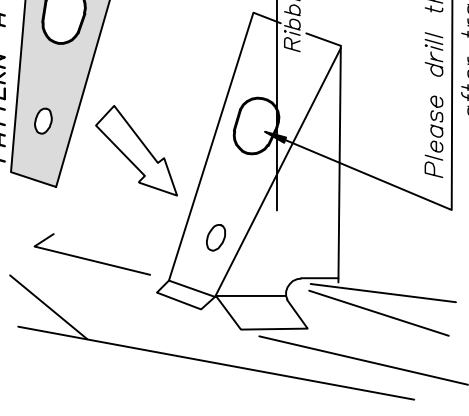
PPUH AUTO-HAK Sp.J.
 Henryk i Zbigniew Nejman
 ul. Stoneczna 16K
 76-200 SLUPSK, POLAND
 tel/fax +48 059 8-414-414;
 e-mail: office@autohak.com.pl
 www.autohak.com.pl

Platnery of car
DAEWOO LANDS, 4 doors.
Produced since 06.1997 till 01.2004
Catalogue number: X09/A

Cut off marked places



Ribbing



Please drill this hole after tracing

DRAWING.2 M12x100

