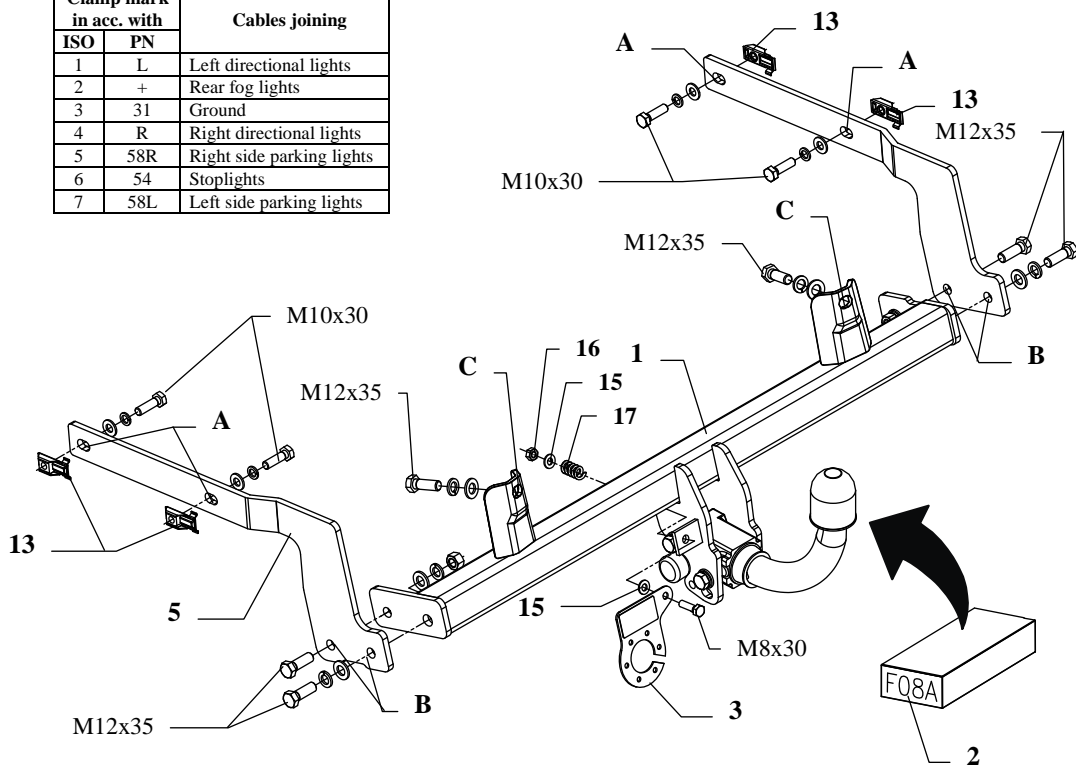


## FITTING INSTRUCTION

Clamp mark in acc. with		Cables joining
ISO	PN	
1	L	Left directional lights
2	+	Rear fog lights
3	31	Ground
4	R	Right directional lights
5	58R	Right side parking lights
6	54	Stoplights
7	58L	Left side parking lights



This towing hitch is designed to assembly in following cars: **PEUGEOT 406 BREAK / SW (ESTATE), type D8 and D9**, produced since 01.1997 till 05.2004, catalogue no. **F08A** and is prepared to tow trailers max total weight **1700 kg** and max vertical load **80 kg**.

### *From manufacturer*

Thank you for buying our product. Their reliability has been confirmed in many tests. Reliability of towing hitch depends also on correct assembly and right operation. For this reasons we kindly ask to read carefully this instruction and apply to hints.

*The towing hitch should be install in points described by a car producer.*

## The instruction of the assembly

1. Find holes in the chassis on the left and right side then put the special caged nuts M10 (pos. 13) from the towing hitch accessories.
2. Fix side brackets (pos. 4 and 5) through holes (pos. A) using bolts M10x35mm (pos. 7).
3. Position the main bar of the towing hitch (pos. 1) between the brackets and then fix using bolts M12x35mm (pos. 6) through holes (pos. B and C).
4. Fix the socket plate (pos. 3) as shown on the drawing.
5. Tighten all nuts and bolts according to the torque shown in the table.
6. Fix body of the automat and place tow-ball according to supplied instruction. Note! Remember to place socket plate (pos. 3) as shown on the drawing 1.
7. Connect electric wires of 7-poles socket according to the instruction of the car. (Recommend to make at authorized service station).
8. Complete the paint cover of towbar (during the mounting paint cover could be destroyed).

Torque settings for nuts and bolts (8,8):

<b>M 8</b>	25 Nm	<b>M 10</b>	55 Nm
<b>M 12</b>	85 Nm	<b>M 14</b>	135Nm

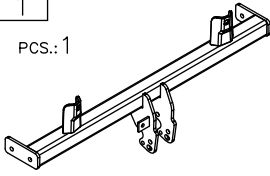
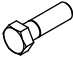

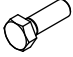







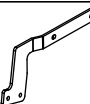


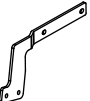


### NOTE

After installation of a towing hitch you should get adequate note in registration book (at authorised service station). The car should be equipped with:

- Indicators
- Tow mirrors

After 1000km of exploitation check all bolts and nuts. The ball of towing hitch must be always kept clear and conserve with a grease.

## Towing hitch accessories:

Pos. 1 Main bar PCS.: 1 	Pos. 6 Bolt 8.8 B M12x35mm PCS.: 6 	Pos. 12 Spring washer ø10,2mm PCS.: 4 
	Pos. 7 Bolt 8.8 B M10x35mm PCS.: 4 	Pos. 13 Coget nut M10 PCS.: 4 
Pos. 2 Tow ball (mounting set) PCS.: 1 	Pos. 8 Nut 8 B M12 PCS.: 2 	Pos. 14 Bolt 8.8 B M8x45mm PCS.: 1 
Pos. 3 Socket plate PCS.: 1 	Pos. 9 Washer ø13mm PCS.: 6 	Pos. 15 Washer ø8,5mm PCS.: 2 
Pos. 4 Right bracket PCS.: 1 	Pos. 10 Washer ø10,5mm PCS.: 4 	Pos. 16 Nut 8 B M8 PCS.: 1 
Pos. 5 Left bracket PCS.: 1 	Pos. 11 Spring washer ø12,2mm PCS.: 6 	Pos. 17 Spring PCS.: 1 



**PPUH AUTO-HAK Sp.J.**

Produkcja Zaczepów Kulowych  
Henryk i Zbigniew Nejman  
76-200 SŁUPSK ul. Słoneczna 16K  
tel/fax (059) 8-414-414; 8-414-413  
E-mail: [office@autohak.com.pl](mailto:office@autohak.com.pl)  
[www.autohak.com.pl](http://www.autohak.com.pl)

## Towing hitch (without electrical set)

Class: **A50-X** Cat. no. **F08A**

Designed for:

Manufacturer: **PEUGEOT**

Model: **406**

Type: **BREAK / SW (ESTATE),  
type D8 and D9**

produced since 01.1997 till 05.2004

Technical data:

**D-value: 9,3 kN**

maximum trailer weight: **1700 kg**

maximum vertical cup load: **80 kg**

**Approval number according to Directive 94/20/EC: e20\*94/20\*1091\*00**

## Foreword

This towing hitch is designed according to rules of safety traffic regulations. The towing hitch is a safety component and can be install only by qualified personnel. Any alteration or conversion of the towing hitch is prohibited and would lead to cancellation of design certification. Remove insulating compound and underseal from vehicle (if present) in the area of the matting surfaces of the towing hitch.

The vehicle manufacturer's specifications regarding trailer mass and max. vertical cup mass are decisive for driving whereat values for the towing hitch cannot be exceeded.

*D-value formula:*

$$\frac{\text{Max trailer weight [kg]} \times \text{Max vehicle weight [kg]}}{\text{Max trailer weight [kg]} + \text{Max vehicle weight [kg]}} \times \frac{9,81}{1000} = D \text{ [kN]}$$