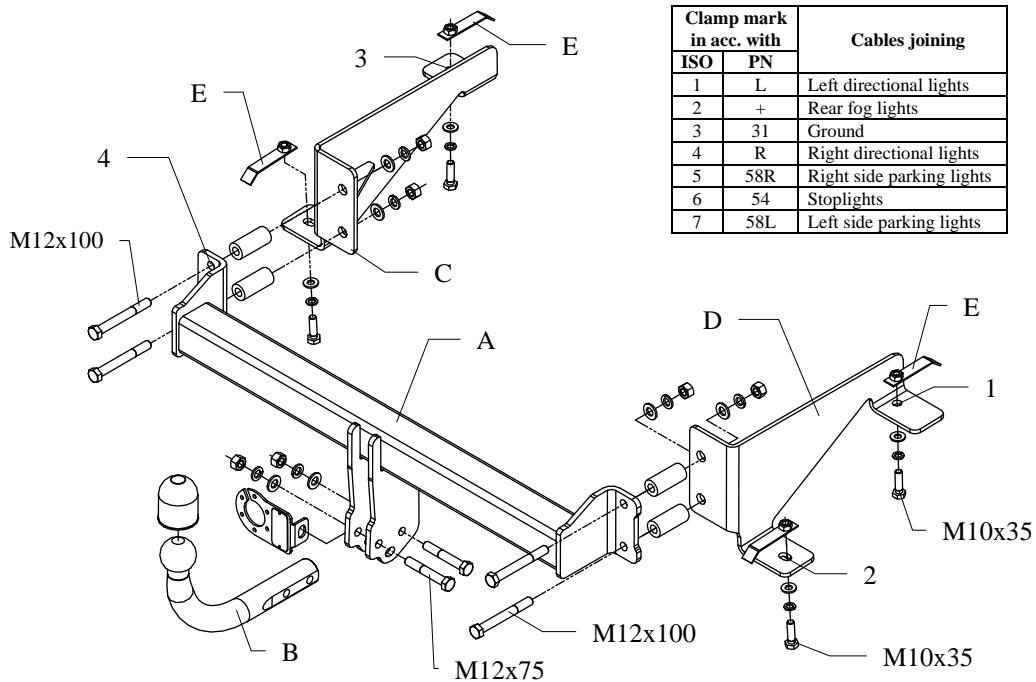


FITTING INSTRUCTION



Clamp mark in acc. with		Cables joining
ISO	PN	
1	L	Left directional lights
2	+	Rear fog lights
3	31	Ground
4	R	Right directional lights
5	58R	Right side parking lights
6	54	Stoplights
7	58L	Left side parking lights

- Put the spacers L =56 mm to the drilled holes.
- Reassemble the aluminium support.
- Position the element (pos. C) to the car frame.
- Left side- fix using M10x35mm with special nut M10 (pos. E), which should be slid through the elongated holes (holes pos. 3 and 4 should match with original holes).
- Right side- do the same what on the left side after drilling hole $\varnothing 11$ through hole (pos. 1) and element (pos. D).
- Position the element (pos. A) to the rear panel and fix it through the slided spacers and elements (pos. C and D) using bolts M12x100mm .
- Reassemble the bumper after cut out its fragment (see fig. 2).
- Tighten all nuts and bolts according to the torque shown in the table.
- Position the ball of towbar (pos. B) with socket plate and fix it with M12x75mm and M12x70mm bolts from the towbar equipment.
- Connect to the electric wires according to the instructions of the car.
- Complete the paint cover of towbar (during the mounting paint cover could be destroyed).

Torque settings for nuts and bolts (8,8):

M 8	25 Nm	M 10	55 Nm
M 12	85 Nm	M 14	135 Nm

NOTE

After install the towbar you should get adequate note in registration book (at authorised service station). The car should be equipped with:

- Indicators
- Tow mirrors

After 1000km check all bolts and nuts. The ball of towbar must be always kept clear and conserve with a grease.

The towbar can be used in the following car:

- OPEL COMBO C passenger car, delivery van** produced since 03.2002 till 01.2012, catalogue no. **E39**

Max trailers dimensions- 1200 kg

Max. Vertical mass- 50 kg

From manufacturer

Thank you for buying our product. Their reliability has been confirmed in many tests. Reliability of towbar depends also on correct assembly and right operation. For this reasons we kindly ask to read carefully this instruction and apply to hints.

The towbar should be install in points described by a car producer.

Fitting instructions

- Disassemble the bumper and aluminium support.
- Drill the holes $\varnothing 25$ mm in the rear panel (holes are factory marked).

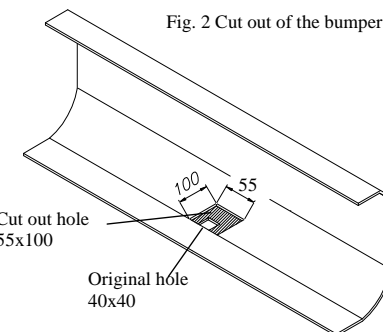


Fig. 2 Cut out of the bumper

PPUH AUTO-HAK S. J.



Produkcja Haków Holowniczych
Henryk i Zbigniew Nejman
76-200 SŁUPSK ul. Słoneczna 16K
tel/fax (059) 8-414-414; 8-414-413
E-mail: office@autohak.com.pl
www.autohak.com.pl

Towing hitch (without electrical set)

Class: **A50-X** Cat. no. **E39**

Designed for:

Manufacturer: **OPEL**

Model: **COMBO**

Type: **C, passenger car, delivery van**

produced since 03.2002 till 01.2012

Technical data:

maximum D-value: **7,05 kN**

maximum trailer weight: **1200 kg**

maximum vertical cup mass: **50 kg**

Approval number acc. to regulations EKG/ONZ 55.01: E20-55R-01 0783

Foreword

This towbar is design according to rules of safety traffic regulations. The towing hitch is a safety component and must be installed only by qualified personnel. Any alteration or conversion to the towinh hitch is prohibited and would lead to cancellation of design certification. Remove insulating compound and underseal from vehicle (if present) in the area of the matting surfaces of the towing hitch. The vehicle manufacturer's specifications regarding trailer load and max. vertical cup load are decisive for driving, and values for the towing hitch cannot be exceeded.

D-value formula:

$$\frac{\text{Max trailer weight [kg]} \times \text{Max vehicle weight [kg]}}{\text{Max trailer weight [kg]} + \text{Max vehicle weight [kg]}} \times \frac{9,81}{1000} = D \text{ [kN]}$$