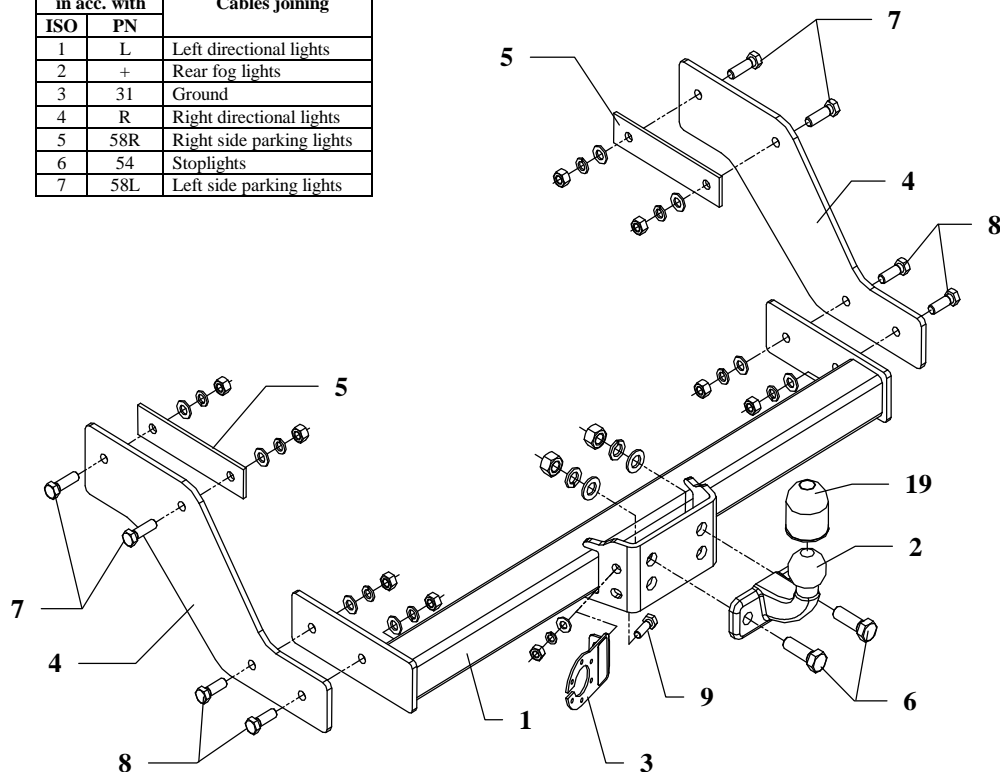


FITTING INSTRUCTION

Clamp mark in acc. with		Cables joining
ISO	PN	
1	L	Left directional lights
2	+	Rear fog lights
3	31	Ground
4	R	Right directional lights
5	58R	Right side parking lights
6	54	Stoplights
7	58L	Left side parking lights



This towbar is designed to assembly in following cars:

GAZELA, metal build-up, catalogue number **N09** and is prepared to tow trailers max total weight **1500 kg** and max vertical load **75 kg**.

From manufacturer

Thank you for buying our product. Their reliability has been confirmed in many tests. Reliability of towbar depends also on correct assembly and right operation. For this reasons we kindly ask to read carefully this instruction and apply to hints.

The instruction of the assembly

1. Drill holes $\varnothing 13\text{mm}$ in chassis members (two per each side) distance 140mm. As base point take hole placed in frame connection (non-through).
2. Through drilled holes fix side brackets (pos. 4) using bolts M12x40mm (pos. 7). Brackets fix from outside of the frame of chassis. From inside put fish-plates (pos. 5).
3. Between installed brackets put properly main bar of the towbar (pos. 1) and next through holes of towbar fix using bolts M12x35mm (pos. 8) from accessories.
4. Fix tow-ball (pos. 2) by bolts M16x50mm (pos. 6) from accessories.
5. Fix the socket plate (pos. 3) using bolt M10x30mm (pos. 9) as shown on the drawing.
6. Fix tight all bolts according to the torque shown in the table.
7. Connect electric wires of 7-poles socket according to the instruction of the car. (Recommend to make at authorized service station)
8. Complete paint layer damaged during installation.

Torque settings for nuts and bolts (8,8):

M6 - 11 Nm	M8 - 25 Nm	M10 - 50 Nm
M12 - 87 Nm	M14 - 138 Nm	M16 - 210 Nm

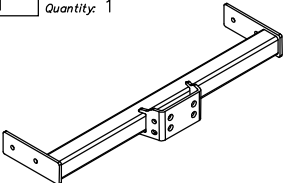
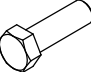

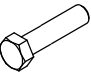

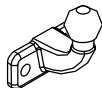
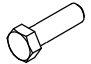


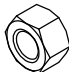
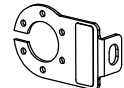




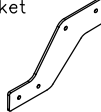


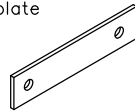
NOTE

After install the towbar you should get adequate note in registration book (at authorised service station).The car should be equipped with:

- Indicators
- Tow mirrors

After 1000km check all bolts and nuts. The ball of towbar must be always kept clear and conserve with a grease.

Towbar accessories:

Pos. 1 Name: Main bar Quantity: 1 	Pos. 6 Name: Bolt 8,8 B Quantity: 2 Dim.: M16x50mm 	Pos. 13 Name: Spring washer Quantity: 2 Dim.: Ø 16,3 mm 
	Pos. 7 Name: Bolt 8,8 B Quantity: 4 Dim.: M12x40mm 	Pos. 14 Name: Spring washer Quantity: 8 Dim.: Ø 12,2 mm 
Pos. 2 Name: Tow ball Quantity: 1 	Pos. 8 Name: Bolt 8,8 B Quantity: 4 Dim.: M12x35mm 	Pos. 15 Name: Spring washer Quantity: 1 Dim.: Ø 10,2 mm 
	Pos. 9 Name: Bolt 8,8 B Quantity: 1 Dim.: M10x30mm 	Pos. 16 Name: Nut 8 B Quantity: 2 Dim.: M16 
Pos. 3 Name: Socket plate Quantity: 1 	Pos. 10 Name: Plain washer Quantity: 2 Dim.: Ø 17 mm 	Pos. 17 Name: Nut 8 B Quantity: 8 Dim.: M12 
	Pos. 11 Name: Plain washer Quantity: 8 Dim.: Ø 13 mm 	Pos. 18 Name: Nut 8 B Quantity: 1 Dim.: M10 
Pos. 4 Name: Side bracket Quantity: 2 	Pos. 12 Name: Plain washer Quantity: 1 Dim.: Ø 10,5 mm 	Pos. 19 Name: Ball cover Quantity: 1 
	Pos. 5 Name: Fish-plate Quantity: 2 	



PPUH AUTO-HAK S.J.

Produkcja Haków Holowniczych
Henryk & Zbigniew Nejman
76-200 SŁUPSK ul. Słoneczna 16K
tel/fax (059) 8-414-414; 8-414-413
email: office@autohak.com.pl
www.autohak.com.pl

Towing hitch (without electrical set)

Class: **A50-X** Cat. no. **N09**

Designed for:

Car: **GAZELA**

Type: **metal build-up**

Technical data:

D-value: 10,30 kN

maximum trailer weight: **1500 kg**

maximum vertical cup load: **75 kg**

Approval number acc. to regulations EKG/ONZ 55.01: **E20-55R-01 1799**

Foreword

This towbar is designed according to rules of safety traffic regulations. The towing hitch is a safety component and can be install only by qualified personnel. Any alteration or conversion of the towing hitch is prohibited and would lead to cancellation of design certification. Remove insulating compound and underseal from vehicle (if present) in the area of the matting surfaces of the towing hitch. The vehicle manufacturer's specifications regarding trailer load and max. vertical cup load are decisive for driving, and values for the towing hitch cannot be exceeded.

D-value formula:

$$\frac{\text{Max trailer weight [kg]} \times \text{Max vehicle weight [kg]}}{\text{Max trailer weight [kg]} + \text{Max vehicle weight [kg]}} \times \frac{9,81}{1000} = D \text{ [kN]}$$